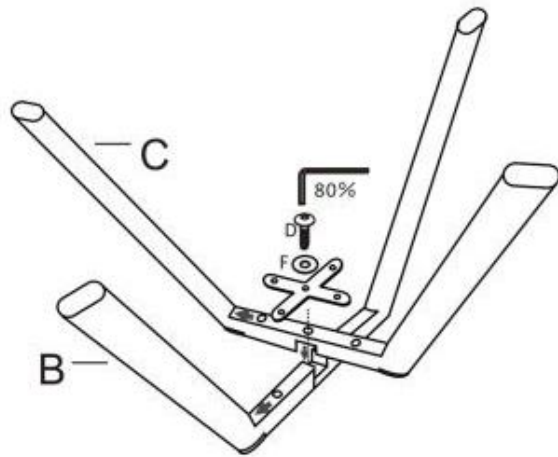
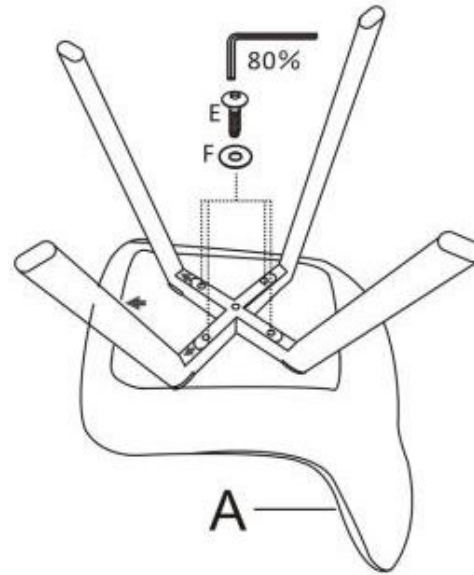


JORDAN

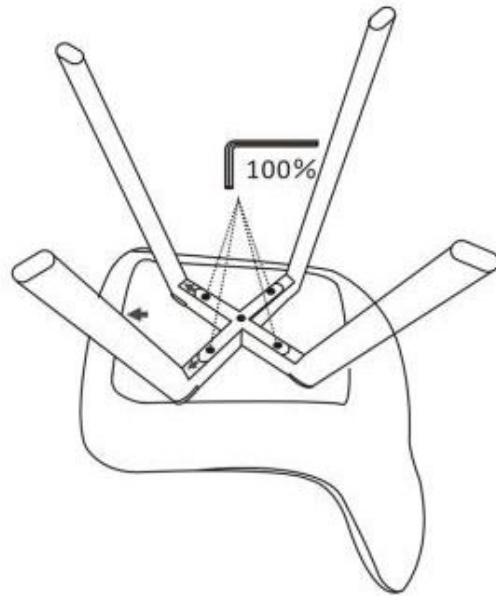
①



②



③



④



A		1
B		1
C		1
D		1
E		4
F		4
G		1

