

# BERK



 max. 100 kg

Ax1



Bx1



Cx1



Dx1



Ex4



M5x40 mm

Fx4

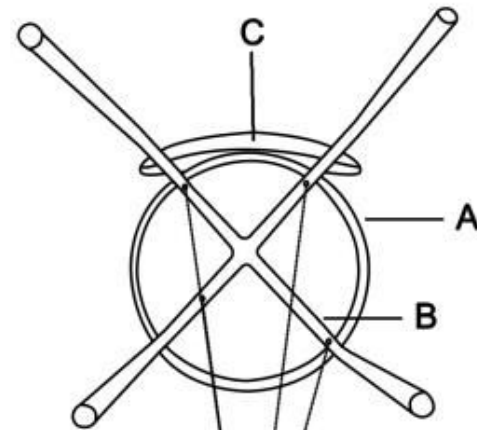


M6x25 mm

Gx1



①

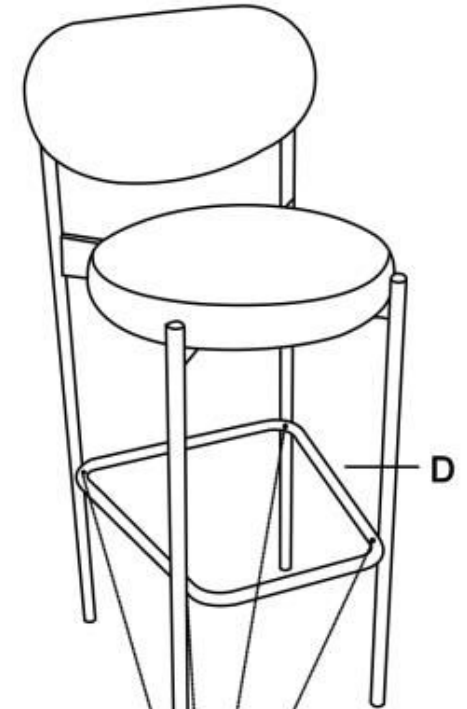


E

G



②



F

