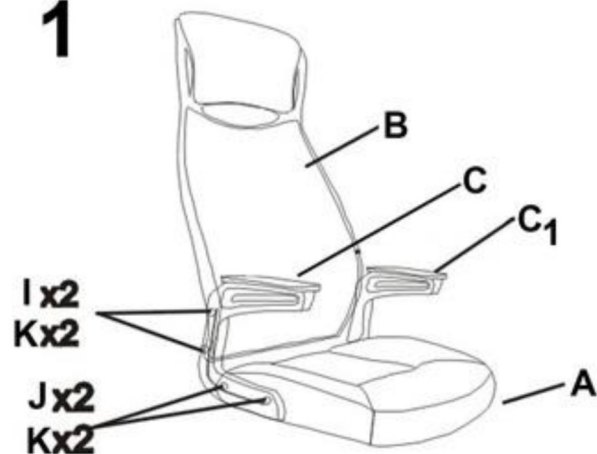
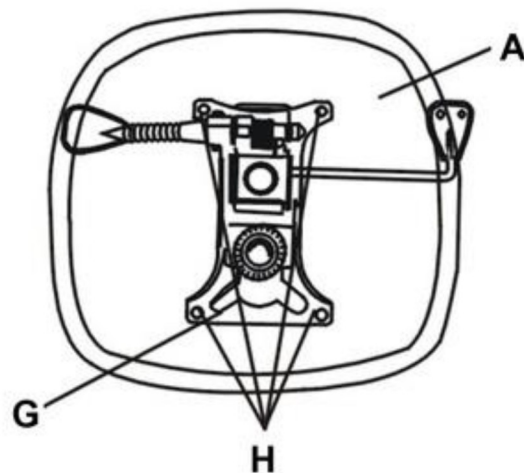


FRANKLIN

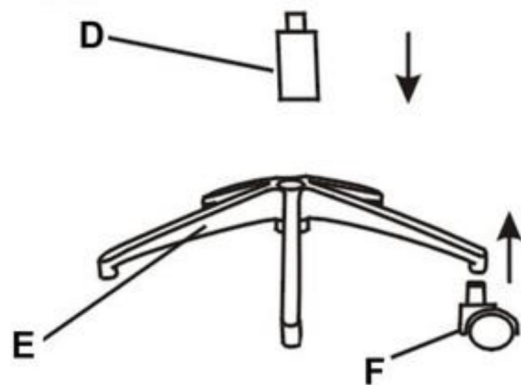
1



2



3



4



A		1
B		1
C		1
C ₁		1
D		1
E		1
F		5
G		1
H		4
I		4
J		4
K		8

