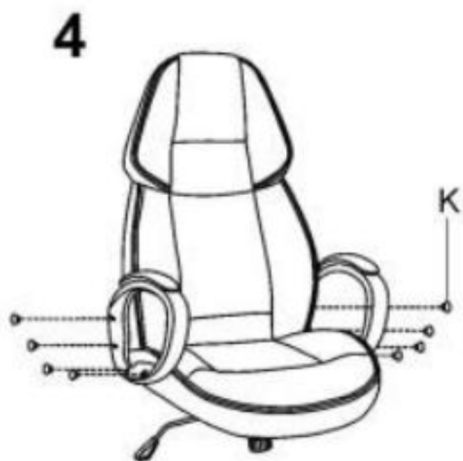
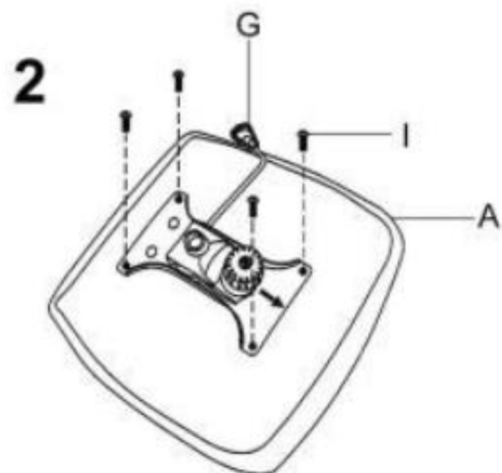
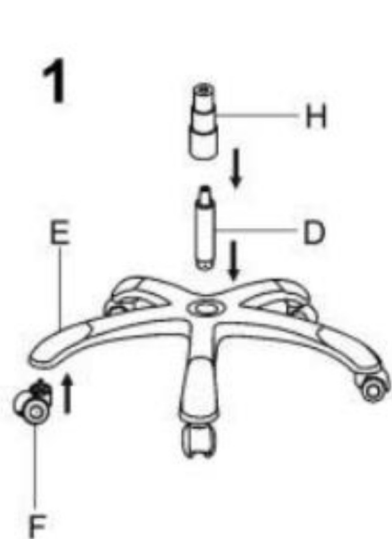


## RUBIN



A		1	G		1
B		1	H		1
C		1	I		4
C1		1	J		8
D		1	K		8
E		1			
F		5			